



GAS

OPEN BURNERS | HOT PLATES 31 3/8"



IHPA-6-36

MODEL NUMBERS

- IHPA-2-12
- IHPA-4-24
- IHPA-6-36
- IHPA-8-48
- IHPA-10-60



Large 5" (127 mm) stainless steel landing ledge for convenient plating.

OPEN BURNERS

- PyroCentric™ 32,000 BTU (9 KW) anti-clogging burner with a 7,000 BTU/hr. (2 KW) low simmer feature. Two rings of flame for even heating.
- Cast iron PyroCentric burners are standard on all IHPA hot plates.
- Burners are anti-clogging and lift-off and separate for easy cleaning.
- No gaskets or screws.
- One standing pilot per burner for instant ignition.

GRATES

- Top grates feature 2 sections for easy and safe to lift-off for cleaning.
- Grates have a cast-in bowl that directs heat upward.
- Anti-clogging pilot is designed into the grate to shield the pilots from grease and debris.
- Pots slide easily from section to section and onto landing ledge.
- Grates are cast iron for a long service life.

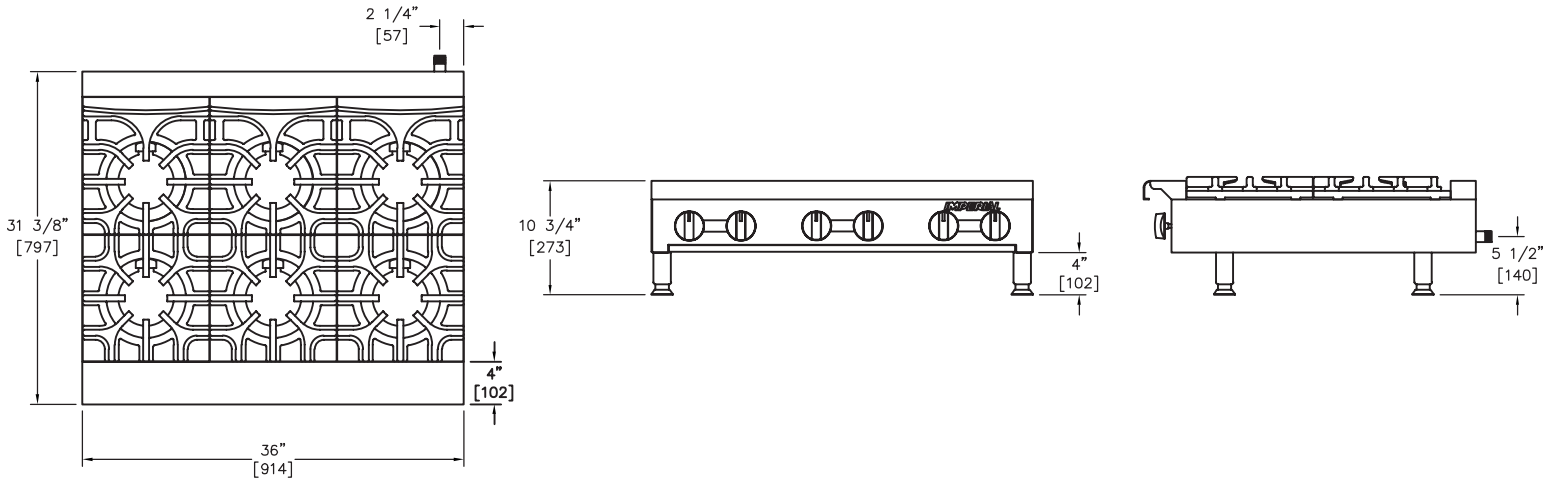
EXTERIOR FEATURES

- Stainless steel front, sides and landing ledge for cleanability and professional look.
- Welded and polished stainless steel seams.
- Range Match profile when placed on a refrigerated base or equipment stand.
- Stainless steel landing ledge is ideal for plating.
- Control knobs are durable die cast metal for long life.
- Full width, removable crumb tray for easy cleaning.
- 4" (102 mm) heavy duty legs with adjustable feet.
- One year parts and labor warranty.

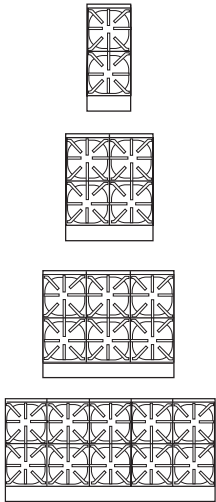


GAS

OPEN BURNERS | HOT PLATES 31 3/8"



GAS HOT PLATES - 31-3/8" (797 MM) DEPTH



WIDTH	MODEL	OPEN BURNERS	GAS OUTPUT		SHIP WEIGHT	
			BTU	KW	KG	LBS
12" (305)	IHPA-2-12	2	64,000	19	37	80
24" (610)	IHPA-4-24	4	128,000	38	64	140
36" (914)	IHPA-6-36	6	192,000	56	95	210
48" (1219)	IHPA-8-48	8	256,000	75	123	270
60" (1524)	IHPA-10-60	10	320,000	94	147	325

MODEL	DIMENSIONS	CRATED DIMENSIONS
IHPA-2-12	12" W X 31-3/8" D X 10-3/4" H (305 X 797 X 273 MM)	14-1/2" W X 34" D X 12" H (368 X 864 X 305 MM)
IHPA-4-24	24" W X 31-3/8" D X 10-3/4" H (610 X 797 X 273 MM)	26-1/2" W X 34" D X 12" H (673 X 864 X 305 MM)
IHPA-6-36	36" W X 31-3/8" D X 10-3/4" H (914 X 797 X 273 MM)	38-1/2" W X 34" D X 12" H (978 X 864 X 305 MM)
IHPA-8-48	48" W X 31-3/8" D X 10-3/4" H (1219 X 797 X 273 MM)	50-1/2" W X 34" D X 12" H (1283 X 864 X 305 MM)
IHPA-10-60	60" W X 31-3/8" D X 10-3/4" H (1524 X 797 X 273 MM)	62-1/2" W X 34" D X 12" H (1588 X 864 X 305 MM)

OPTIONS AND ACCESSORIES

- Stainless steel equipment stands
- 6" (152 mm) casters for equipment stands
- 10" (254 mm) stainless steel wok ring
- Saute burner head, interchangeable
- Wok burner head, interchangeable
- Gas shut off valve 3/4" N.P.T
- Quick disconnect and flexible gas hose 3/4" N.P.T

CLEARANCE REQUIREMENTS

Provide 0" clearance from non-combustible surfaces and 8" (203 mm) from combustible surfaces.

MANIFOLD PRESSURE		
NATURAL GAS	PROPANE GAS	MANIFOLD SIZE
5.0" W.C.	10.0" W.C.	3/4" (19 MM)

