



GAS

SPEC SERIES | SPREADER

IMPERIAL



IHR-12SP

Shown with optional stainless steel backguard with shelf



IHR-24SP

Shown with optional electric Bain-Marie and faucet

Model Numbers

IHR-12SP IHR-18SP
IHR-24SP IHR-36SP

SPREADER

- Provides additional working space between ranges
- Front 1 ¼" (32mm) manifold joins adjacent equipment
- Cabinet base has bottom shelf for storing pans and stock pots
- Permits rear tee connection to add sufficient gas input for a large battery of gas equipment
- Optional electric Bain-Marie and optional faucet for added convenience for 18", 24" and 36" (457, 610, 914 mm) models
- Optional cut-outs in work top are available to hold round inserts

EXTERIOR FEATURES

- Stainless steel front, sides, stub back, landing ledge and kick plate
- Welded and polished stainless-steel seams
- Common ledge and backguards are available as options for seamless, professional look 6" high (152 mm) 2 ½" (64 mm) diameter heavy duty legs with adjustable feet.
- One year parts and labor warranty



SPREADER TOP PROVIDES EXTRA WORKING SPACE

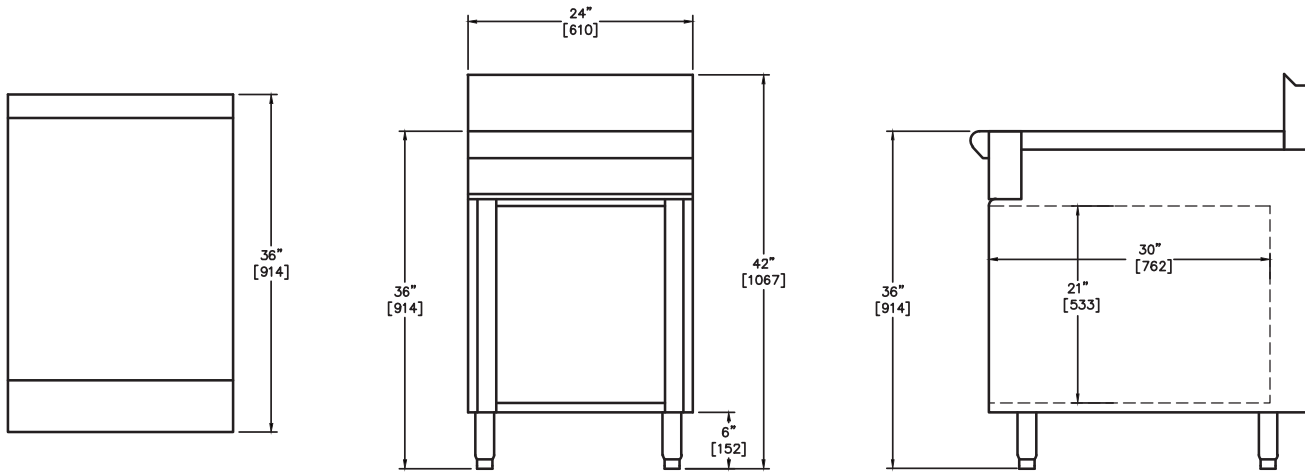


OPTIONAL CUT-OUTS ARE ALSO AVAILABLE



GAS

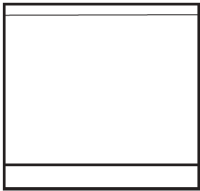
SPEC SERIES | SPREADER



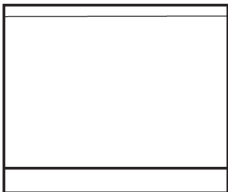
MODEL	WIDTH (MM)	BASE DESCRIPTION	SHIP WEIGHT	
			KG	LBS
IHR-12SP	12" (305)	OPEN CABINET WITH BOTTOM SHELF	68	150



MODEL	WIDTH (MM)	BASE DESCRIPTION	SHIP WEIGHT	
			KG	LBS
IHR-18SP	18" (457)	OPEN CABINET WITH BOTTOM SHELF	72	160



MODEL	WIDTH (MM)	BASE DESCRIPTION	SHIP WEIGHT	
			KG	LBS
IHR-24SP	24" (610)	OPEN CABINET WITH BOTTOM SHELF	88	195



MODEL	WIDTH (MM)	BASE DESCRIPTION	SHIP WEIGHT	
			KG	LBS
IHR-36SP	36" (914)	OPEN CABINET WITH BOTTOM SHELF	95	210

MODEL	DIMENSIONS	CRATED DIMENSIONS
IHR-12SP	12" W X 38" D X 36" H* (305 X 965 X 914 MM)	15" W X 41" D X 35" H (381 X 1041 X 889 MM)
IHR-18SP	18" W X 38" D X 36" H* (457 X 965 X 914 MM)	20-1/2" W X 41" D X 35" H (521 X 1041 X 889 MM)
IHR-24SP	24" W X 38" D X 36" H* (610 X 965 X 914 MM)	26-1/2" W X 41" D X 35" H (673 X 1041 X 889 MM)
IHR-36SP	36" W X 38" D X 36" H* (914 X 965 X 914 MM)	39-1/2" W X 41" D X 35" H (1003 X 1041 X 889 MM)

* to work top

OPTIONS AND ACCESSORIES

- Electric bain-marie and faucet for 18", 24" and 36" (457, 610 and 914 mm) models
- Cut-outs in work top for round inserts
- Heavy duty stainless steel backguards
- Heavy duty stainless steel high shelf
- Salamander or Cheesemelter Infra-red Broilers
- Reinforcement channels for mounting cheesemelter/salamander
- Stainless steel common front landing ledge 54", 72", 90", 108" (1372, 1829, 2286, 2743 mm)
- Stainless steel single door on 12", 18" and 24" (305, 457 and 610 mm) open cabinet base
- Stainless steel interior on open cabinet base
- Stainless steel double door on 36" (914 mm) open cabinet base
- Stainless steel center shelf in open cabinet base
- 6" (152 mm) casters

